

PIN	NAME
1	FG
2	VSS
3	VDD
4	V0
5	/MR
6	/RD
7	CE
8	RS
9	/RST
10	DB0
11	DB1
12	DB2
13	DB3
14	DB4
15	DB5
16	DB6
17	DB7
18	FS1
19	VEE
20	LED_A

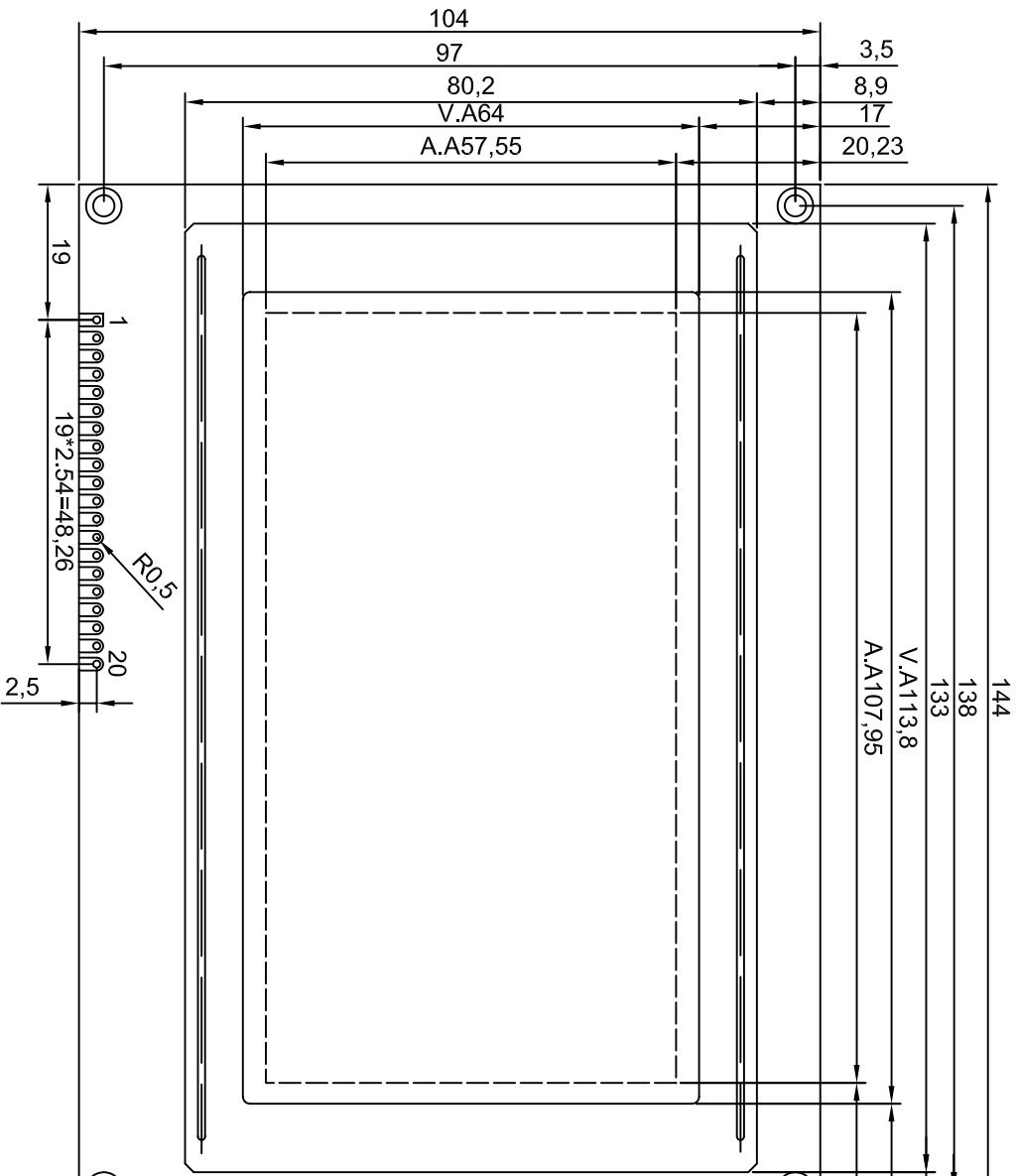
1 请确认回传:

2

3

4

VIEWING DIRECTION



**SPECIFICATIONS**

STORAGE TEMP : -30°C TO +80°C  
 OPERATING TEMP : -20°C TO +70°C  
 VIEWING DIRECTION : 12 O'CLOCK  
 DRIVE CONDITION : 1/128 DUTY, 1/12 BIAS, VLCD= 15.6V  
 DISPLAY MODE : STN(Y/G) TRANSFLECTIVE P MODE  
 BACK LIGHT ITEM: BOTTOM(Y/G);5.0V  
 LCM OPERATING VOLTAGE:5.0V  
 CONTROLLER/DRIVER IC: 6963

**DESCRIPTION:**

SCALE:	FTT
SHEET:	1 OF 1
GENERAL TOL:	UNIT
± 0.20mm	mm
APPROVALS	DATE
APP:	
CHK:	
DWN: QBL	OCT-10-07

REV	DESCR
A00	First Iss

1

2

3

4

D

A