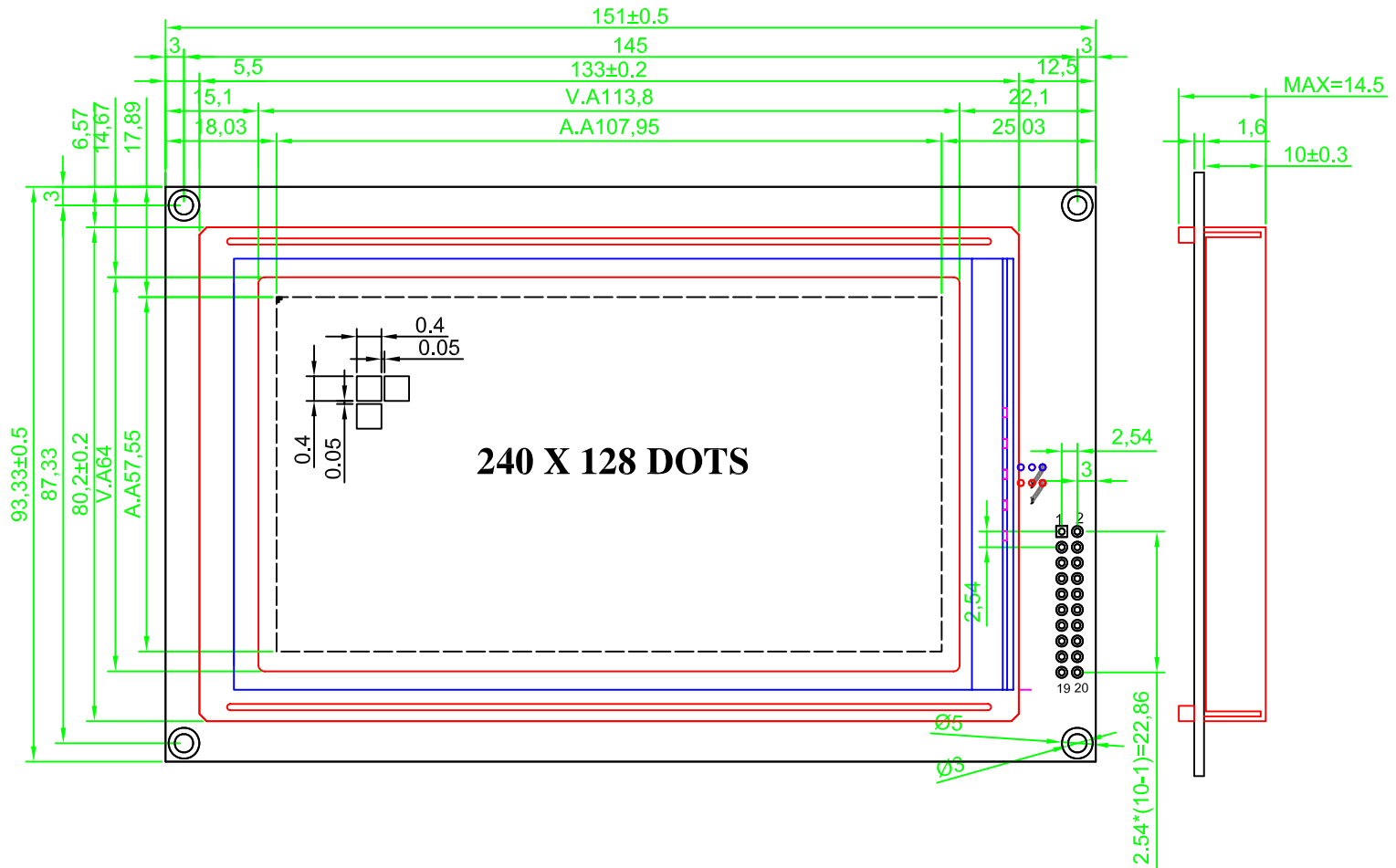


PIN	NAME
1	GND
2	VDD
3	V0
4	C/D
5	/RD
6	/WR
7	DB0
8	DB1
9	DB2
10	DB3
11	DB4
12	DB5
13	DB6
14	DB7
15	/CE
16	/RST
17	VEE
18	FS
19	LEDW+
20	LEDR+

请确认回传:

REV	DESCRIPTION:	DATE
A00	First issue	20101216
A01	更改结构以及接口定义	20101217



SPECIFICATIONS

STORAGE TEMP : -30°C TO +80°C
 OPERATING TEMP : -20°C TO +70°C
 VIEWING DIRECTION : 6 O'CLOCK
 DRIVE CONDITION : 1/128 DUTY, 1/12 BIAS
 DISPLAY MODE : DFSTN TRANSMISSIVE NEGATIVE
 BACK LIGHT ITEM: WHITE 8PCS & RED 8PCS;5.0V
 LCM OPERATING VOLTAGE:5.0V
 CONTROLLER/DRIVER IC: RA6963



DESCRIPTION:		C/D 外型图	
SCALE: FIT		深圳市兴宇合电子有限公司	
SHEET: 1 OF 1			
GENERAL TOL: ± 0.20mm	UNIT mm	MODEL NUMBER : JBG240128B00-80RW	
APPROVALS	DATE		
APP:		DO NOT SCALE THIS DRAWING.	PROJECTION
CHK:			
DWN: PLP	20101216		
		PART NO:	