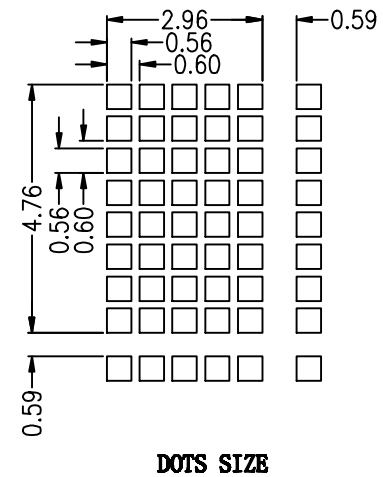
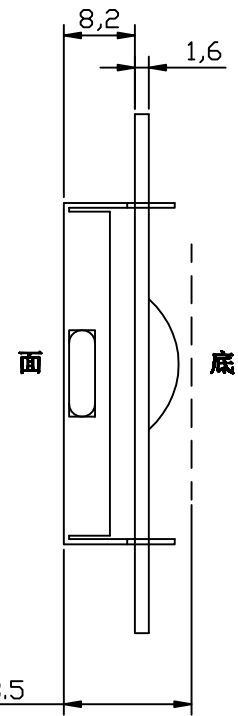
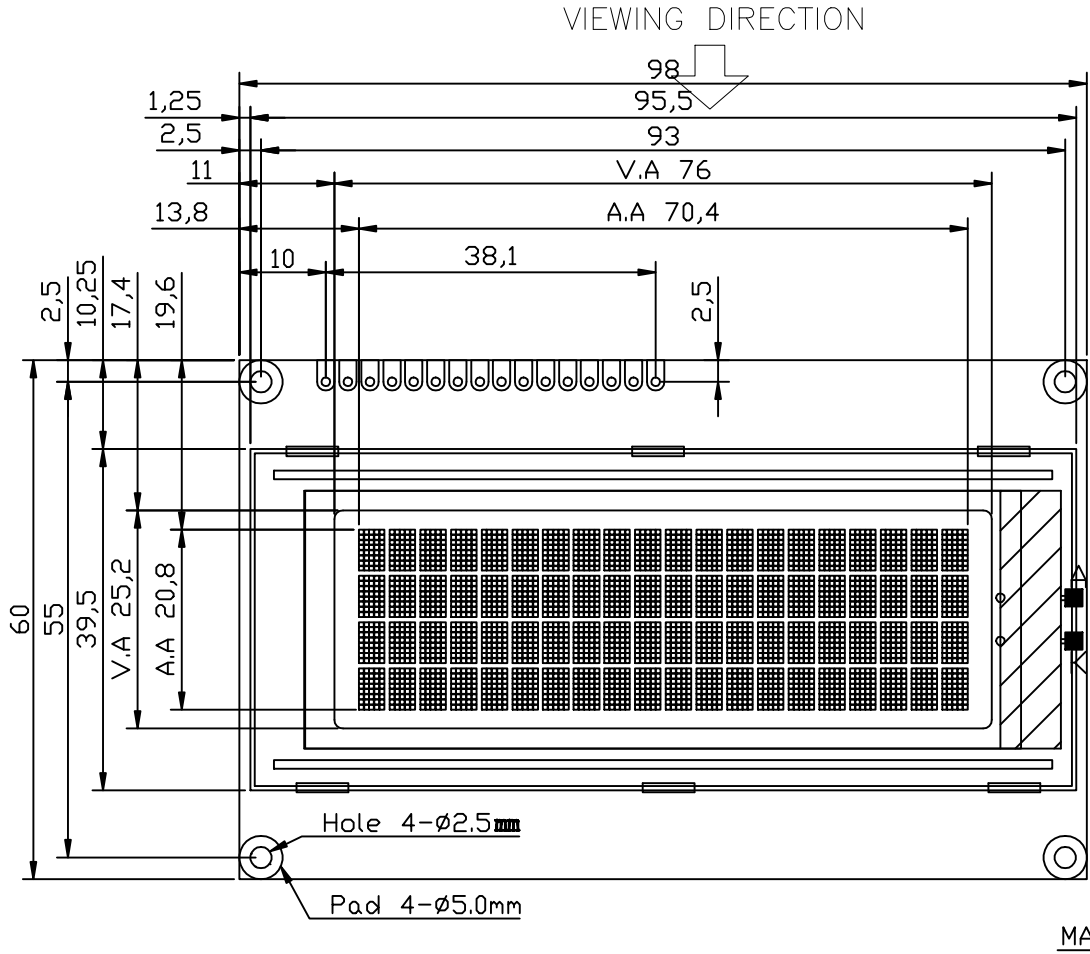


PIN NO.	Name
1	VSS
2	VDD
3	V0
4	RS
5	RW
6	E
7	DB0
8	DB1
9	DB2
10	DB3
11	DB4
12	DB5
13	DB6
14	DB7
15	LED_A
16	LED_K

REV	DESCRIPTION:	DATE
00	在2004C00-08W-2的基础上更改视角,电阻移R6上	2012.02.15



SPECIFICATIONS

STORAGE TEMP : -30°C TO +80°C
 OPERATING TEMP : -20°C TO +70°C
 VIEWING DIRECTION : 12 O'CLOCK
 DRIVE CONDITION : 1/16 DUTY, 1/5 BIAS, VLCD=4.5V
 DISPLAY MODE : STN (BLUE) TRANSMISSIVE NAGETIVE MODE
 BACKLIGHT: WHITE
 DRIVER IC : ST7066U-0B

DESCRIPTION: C/D 外型图	
SCALE: FT	深圳市兴宇合电子有限公司
SHEET: 1 OF 1	
GENERAL TOL: ± 0.20mm	UNIT: mm
APPROVALS	DATE
APP:	MODEL NUMBER: JBC2004C00-08W-2
CHK:	PART NO:
DWN: ZQS	2012.02.15
DO NOT SCALE THIS DRAWING.	
PROJECTION	