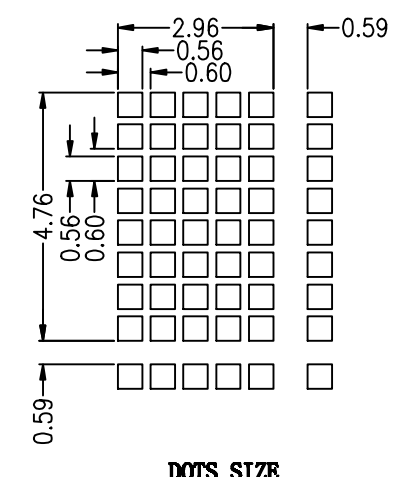
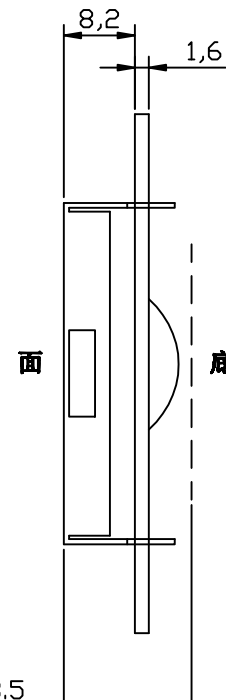
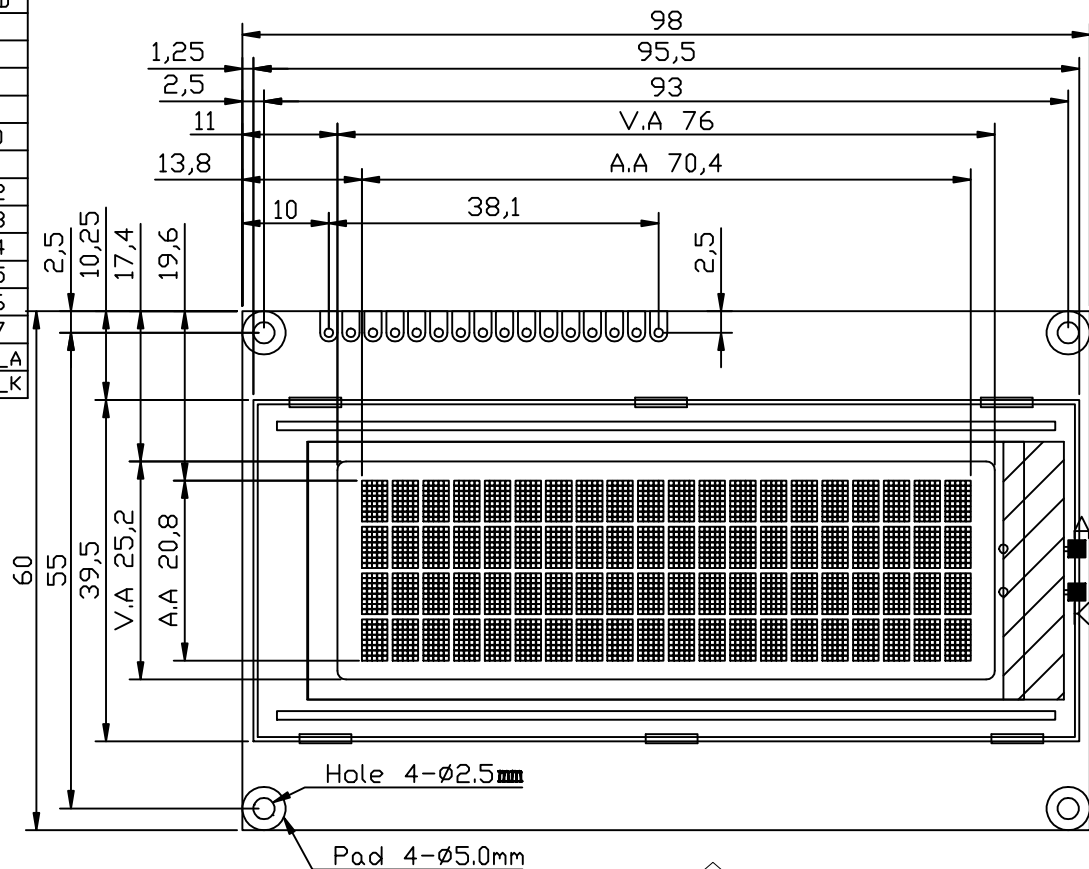


PIN NO.	Name
1	VSS
2	VDD
3	V0
4	RS
5	RW
6	E
7	DB0
8	DB1
9	DB2
10	DB3
11	DB4
12	DB5
13	DB6
14	DB7
15	LED_A
16	LED_K

REV	DESCRIPTION:	DATE
00	First issue	JAN-09-2008



SPECIFICATIONS

STORAGE TEMP : -30°C TO +80°C
 OPERATING TEMP : -20°C TO +70°C
 VIEWING DIRECTION : 6 O'CLOCK
 DRIVE CONDITION : 1/16 DUTY, 1/5 BIAS, VLCD=4.5V
 DISPLAY MODE : STN BLUE TRANSMISSIVE NEGATIVE MODE
 BACKLIGHT: LED WHITE
 DRIVER IC: ST7066U

VIEWING DIRECTION

MAX 13.5

DESCRIPTION:		C/D 外型图	
SCALE:	1:1	深圳市兴宇合电子有限公司	
SHEET:	1 OF 1		
GENERAL TOL:	± 0.20mm	UNIT:	mm
APPROVALS:	DATE:	MODEL NUMBER:	PART NO:
APP:		JBC2004C00-08W	
CHK:			
DWN: ZY.CHEN	JAN-9-2008	DO NOT SCALE THIS DRAWING.	PROJECTION