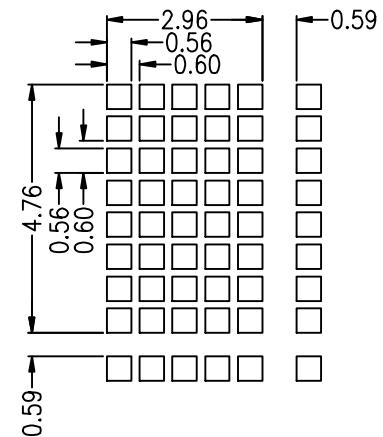
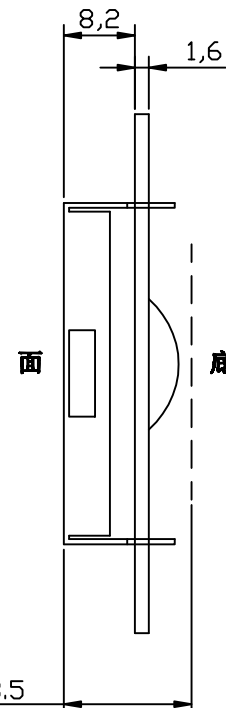
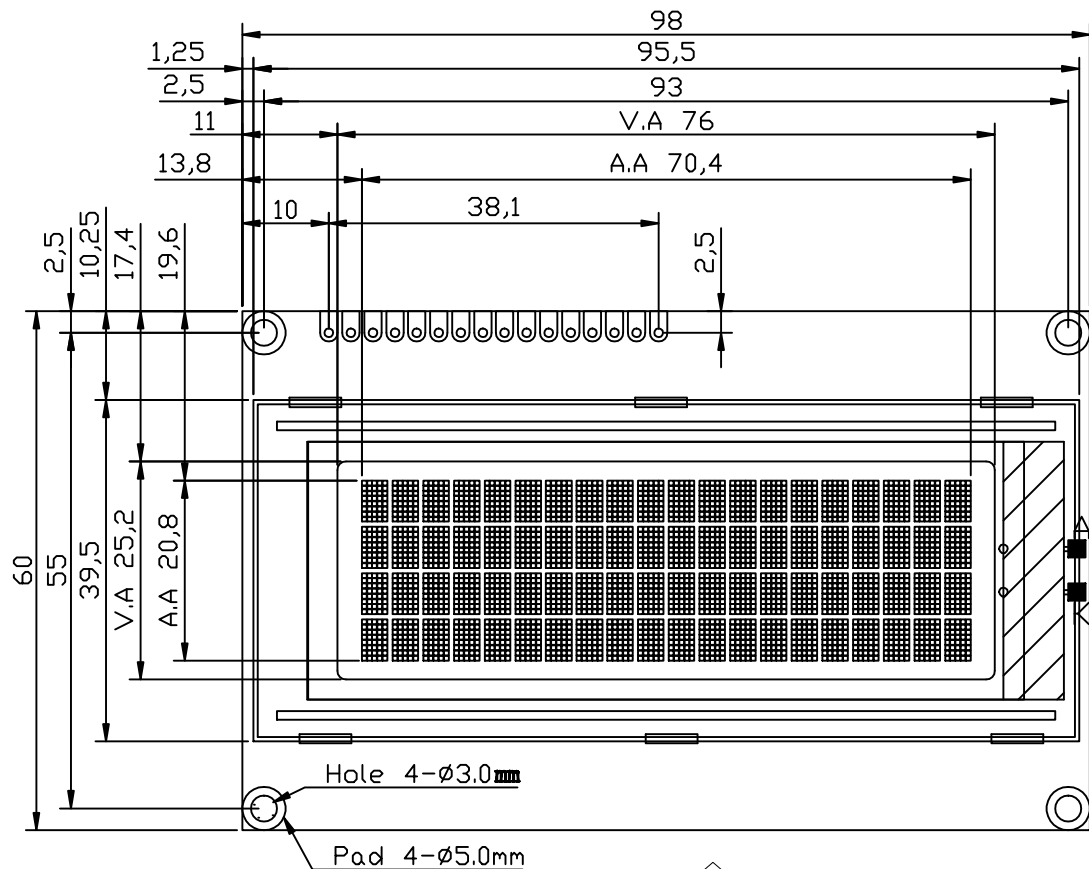


PIN NO.	Name
1	VSS
2	VDD
3	V0
4	RS
5	RW
6	E
7	DB0
8	DB1
9	DB2
10	DB3
11	DB4
12	DB5
13	DB6
14	DB7
15	LED_A
16	LED_K

REV	DESCRIPTION:	DATE
00	First issue	2010.02.25



DOTS SIZE

MAX 13.5

VIEWING DIRECTION

SPECIFICATIONS

STORAGE TEMP : -30°C TO +80°C  
 OPERATING TEMP : -20°C TO +70°C  
 VIEWING DIRECTION : 6 O'CLOCK  
 DRIVE CONDITION : 1/16 DUTY, 1/5 BIAS, VLCD=4.5V  
 DISPLAY MODE : STN Y/G TRANSFLECTIVE POSSITIVE MODE  
 BACKLIGHT: LED BOTTOM - YELLOW GREEN VLED=4.2V

DESCRIPTION: <b>C/D 外型图</b>	
SCALE: FT	<b>深圳市兴宇合电子有限公司</b>
SHEET: 1 OF 1	
GENERAL TOL: ± 0.20mm	UNIT: mm
APPROVALS	DATE
APP:	MODEL NUMBER: <b>JBC2004C00-00Y-2</b>
CHK:	PART NO:
DWN: ZQS	2010.02.25
DO NOT SCALE THIS DRAWING.	PROJECTION