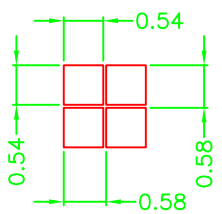
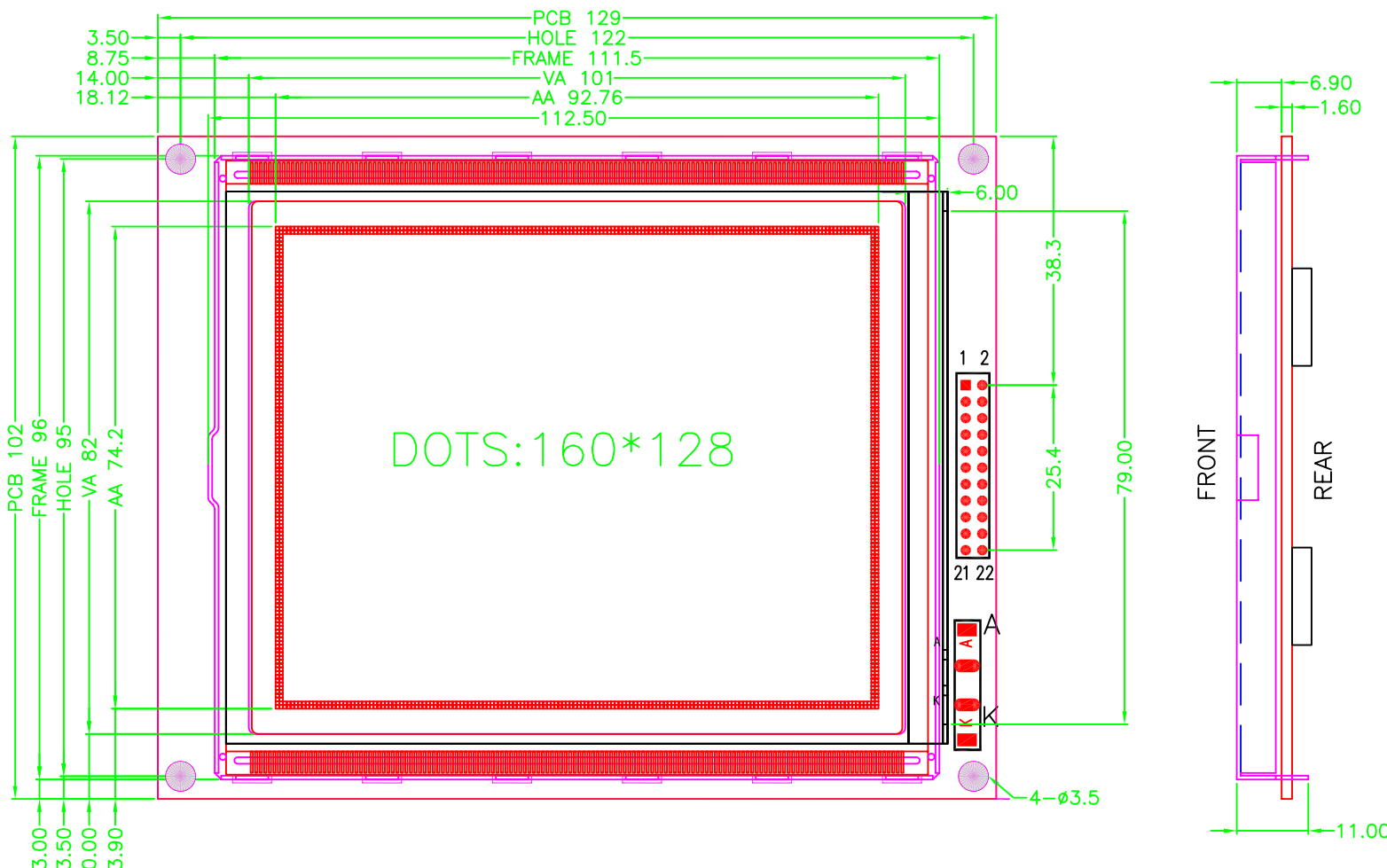


PIN NO.	NAME	PIN NO.	NAME
1	FR_GND	2	VSS
3	VDD	4	VO
5	VEE	6	W/R
7	R/D	8	C/E
9	C/D	10	HALT
11	RST	12	DB0
13	DB1	14	DB2
15	DB3	16	DB4
17	DB5	18	DB6
19	DB7	20	FS1(NC)
21	K	22	A

REV	DESCRIPTION:	DATE
00	First issue	20081006



SPECIFICATIONS

STORAGE TEMP : -30°C TO +80°C
 OPERATING TEMP : -20°C TO +70°C
 VIEWING DIRECTION : 6 O'CLOCK
 DRIVE CONDITION : 1/128 DUTY, 1/12 BIAS, VLCD=14.5V, VDD=5.0V
 DISPLAY MODE : STN/BLUE TRANSMISSIVE NEGATIVE MODE
 BACKLIGHT: White Color
 DRIVER IC: RA6963

DESCRIPTION:		C/D 结构图	
SCALE: FIT		深圳市兴宇合电子有限公司	
SHEET: 1 OF 1			
GENERAL TOL: ± 0.20mm	UNIT mm	MODEL NUMBER: JBG160128B00-10W-A50	PART NO:
APPROVALS	DATE		
APP:		DO NOT SCALE THIS DRAWING.	PROJECTION
CHK:			
DWN: DAP	20081006		