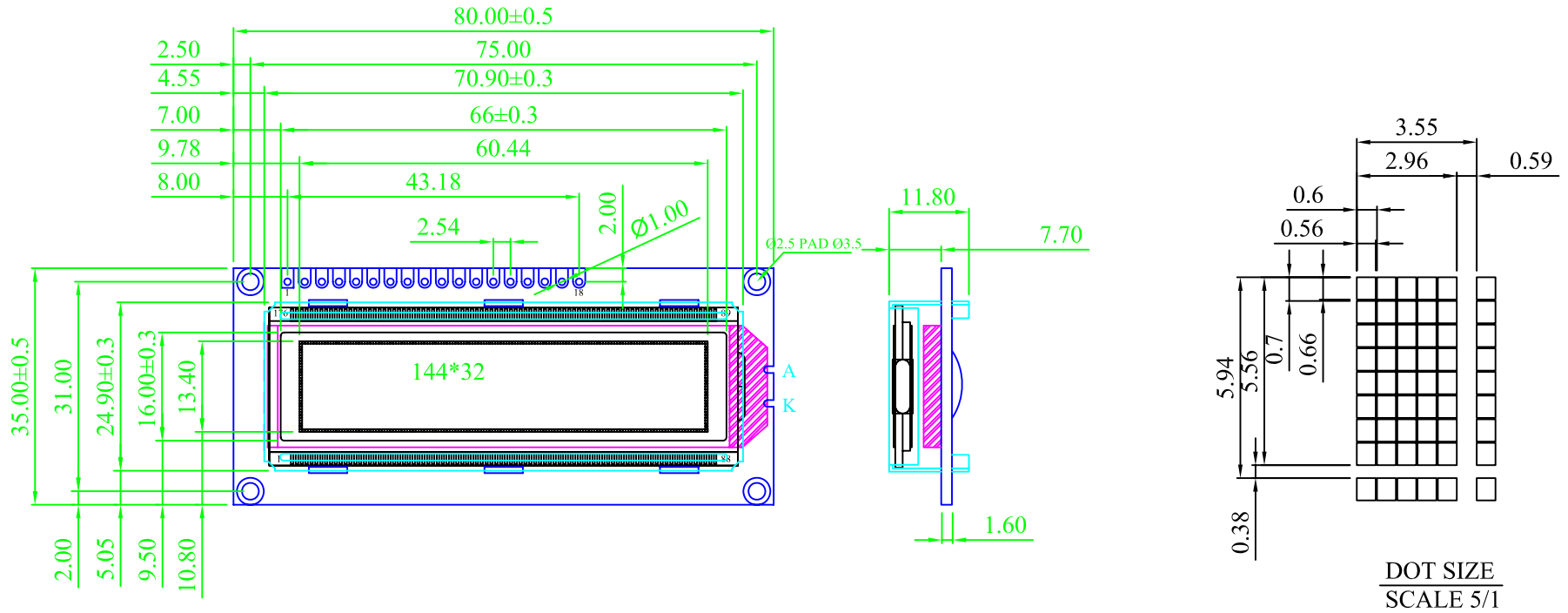


PIN NO.	SYMBOL
1	V _{SS}
2	V _{DD}
3	v ₀
4	RS
5	R/W
6	E
7	DB0
8	DB1
9	DB2
10	DB3
11	DB4
12	DB5
13	DB6
14	DB7
15	A
16	VOUT(NC)
17	PSB
18	/RST

REV	DESCRIPTION:	DATE
A00	First issue	20110414



此款铁框要新开

SPECIFICATIONS

STORAGE TEMP : -30°C TO +80°C
 OPERATING TEMP : -20°C TO +70°C
 VIEWING DIRECTION : 6 O'CLOCK
 DRIVE CONDITION : 1/32 DUTY, 1/6 BIAS, VLCD= 4.5V
 DISPLAY MODE : STN(BLUE) TRANSMISSIVE NEGATIVE MODE
 BACK LIGHT ITEM: WHITE, 2pcs
 LCM OPERATING VOLTAGE:5.0V
 CONTROLLER/DRIVER IC: ST7920,ST7921

DESCRIPTION:		C/D 外型图	
SCALE: FIT	深圳市兴宇合电子有限公司		
SHEET: 1 OF 1			
GENERAL TOL: ± 0.20mm			
APPROVALS	DATE	MODEL NUMBER :	PART NO:
APP:		JBG14432B00-08W	
CHK:		DO NOT SCALE THIS DRAWING.	PROJECTION
DWN: plp	20110414		