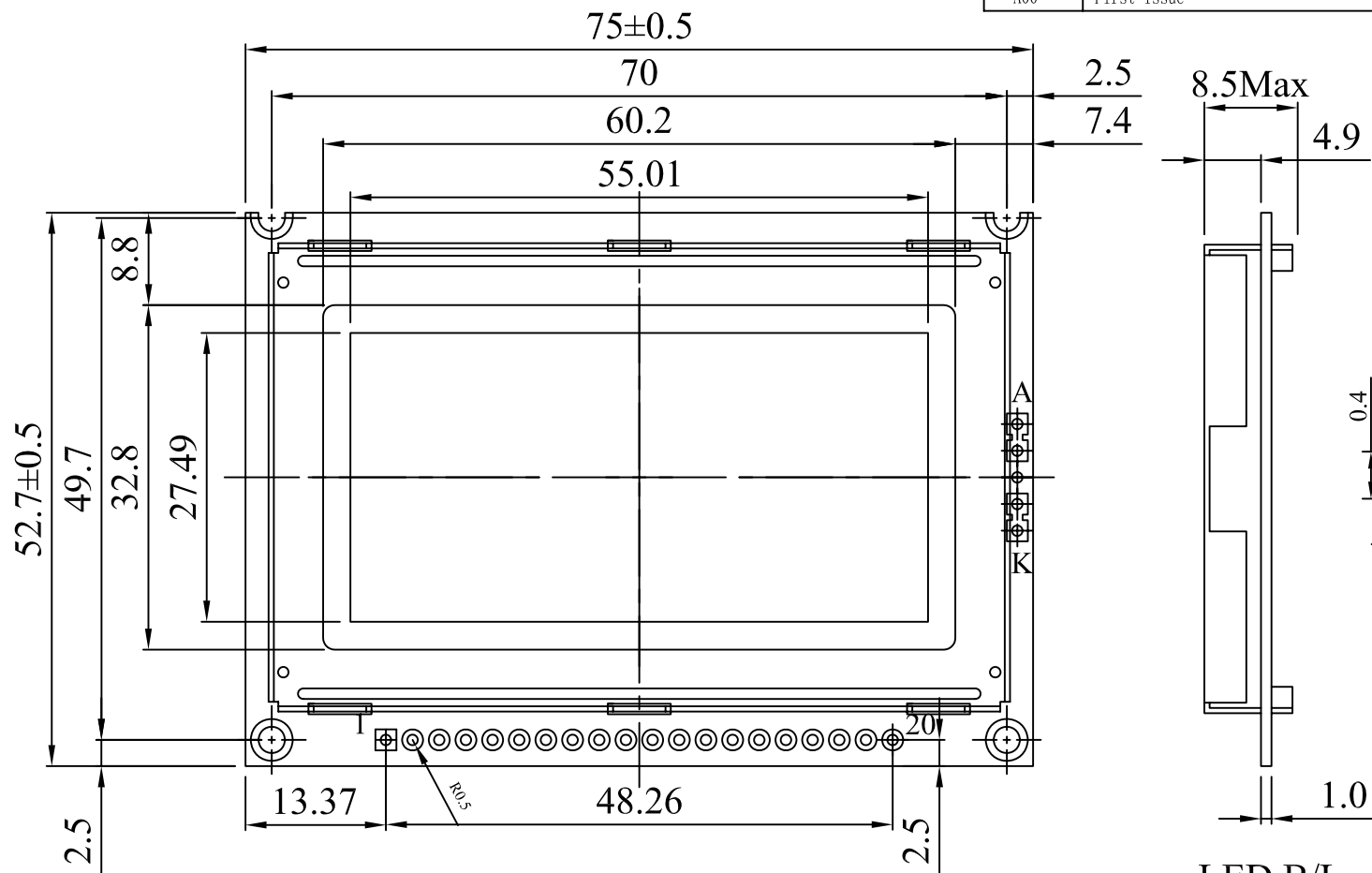


PIN	NAME
1	VDD
2	GND
3	V0
4	DB0
5	DB1
6	DB2
7	DB3
8	DB4
9	DB5
10	DB6
11	DB7
12	CS1
13	CS2
14	/RST
15	R/W
16	RS
17	E
18	VEE
19	LED_A
20	LED_K

REV	DESCRIPTION:	DATE
A00	First issue	DEC-14-2006



LED B/L

SPECIFICATIONS

STORAGE TEMP : -30°C TO +80°C
 OPERATING TEMP : -20°C TO +70°C
 VIEWING DIRECTION : 6 O'CLOCK
 DRIVE CONDITION : 1/64 DUTY, 1/9 BIAS, VLCD= 9.0V
 DISPLAY MODE : STN(Y/G) TRANSFLECTIVE POSITIVE MODE
 BACK LIGHT ITEM: Y-G SIDE 20PCS
 LCM OPERATING VOLTAGE:5.0V
 CONTROLLER/DRIVER IC: S6B0107 S6B0108*2 OR EQU



DESCRIPTION:		C/D 外型图	
SCALE: FIT		深圳市兴宇合电子有限公司	
SHEET: 1 OF 1			
GENERAL TOL: ± 0.20mm	UNIT mm	MODEL NUMBER: JBG12864J00-00F	PART NO:
APPROVALS	DATE		
APP:		DO NOT SCALE THIS DRAWING.	PROJECTION
CHK:			
DWN: PLP	20110509		

