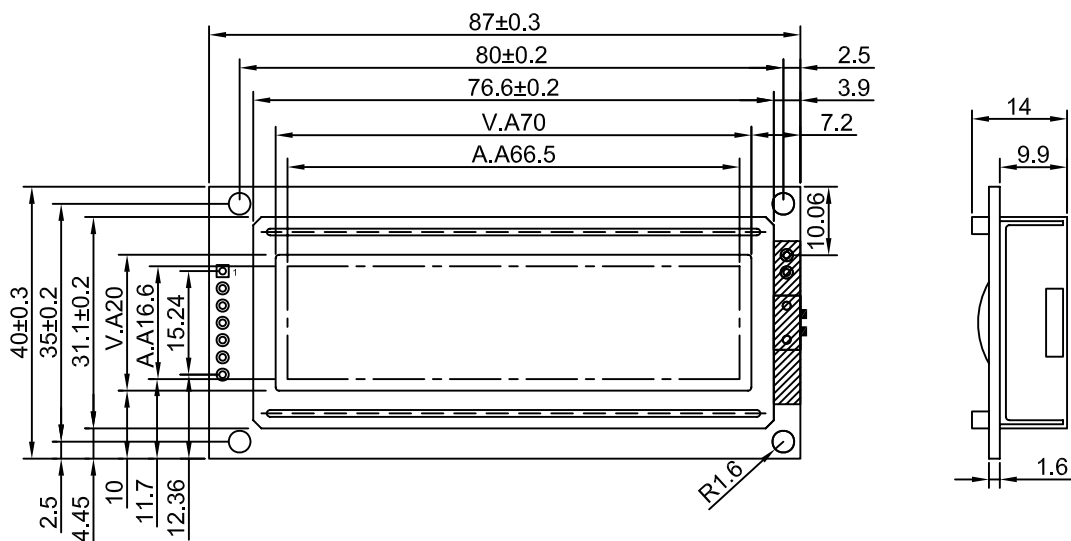


1		2		3		4		5		6	
PIN NO.	SYMBOL	REV		DESCRIPTION:		DATE					
1	Vss	A00		First issue		20101218					

1	Vss
2	VDD
3	CS
4	SID
5	CLK
6	LEDA
7	BUZZ



↑  
VIEWING DIRECTION

**SPECIFICATIONS**

STORAGE TEMP : -30°C TO +80°C  
 OPERATING TEMP : -20°C TO +70°C  
 VIEWING DIRECTION : 6 O'CLOCK  
 DRIVE CONDITION : 1/32 DUTY, 1/6 BIAS, VLCD= 5.0V  
 CONTROL IC: ST7920 ST7921  
 DISPLAY MODE: STN(Y/G) TRANSFLECTIVE P MODE  
 BACK LIGHT ITEM: Y/G(SIDE),3V  
 LCM OPERATING VOLTAGE:5.0V

DESCRIPTION:		<b>C/D</b> 外型图	
SCALE:	FIT	<b>深圳市兴宇合电子有限公司</b>	
SHEET:	1 OF 1		
GENERAL TOL:	UNIT	MODEL NUMBER :	PART NO:
± 0.20mm	mm		
APPROVALS	DATE	JBG12832E00-00F	PROJECTION
APP:			
CHK:			
DWN: PLP	20101218	DO NOT SCALE THIS DRAWING.	