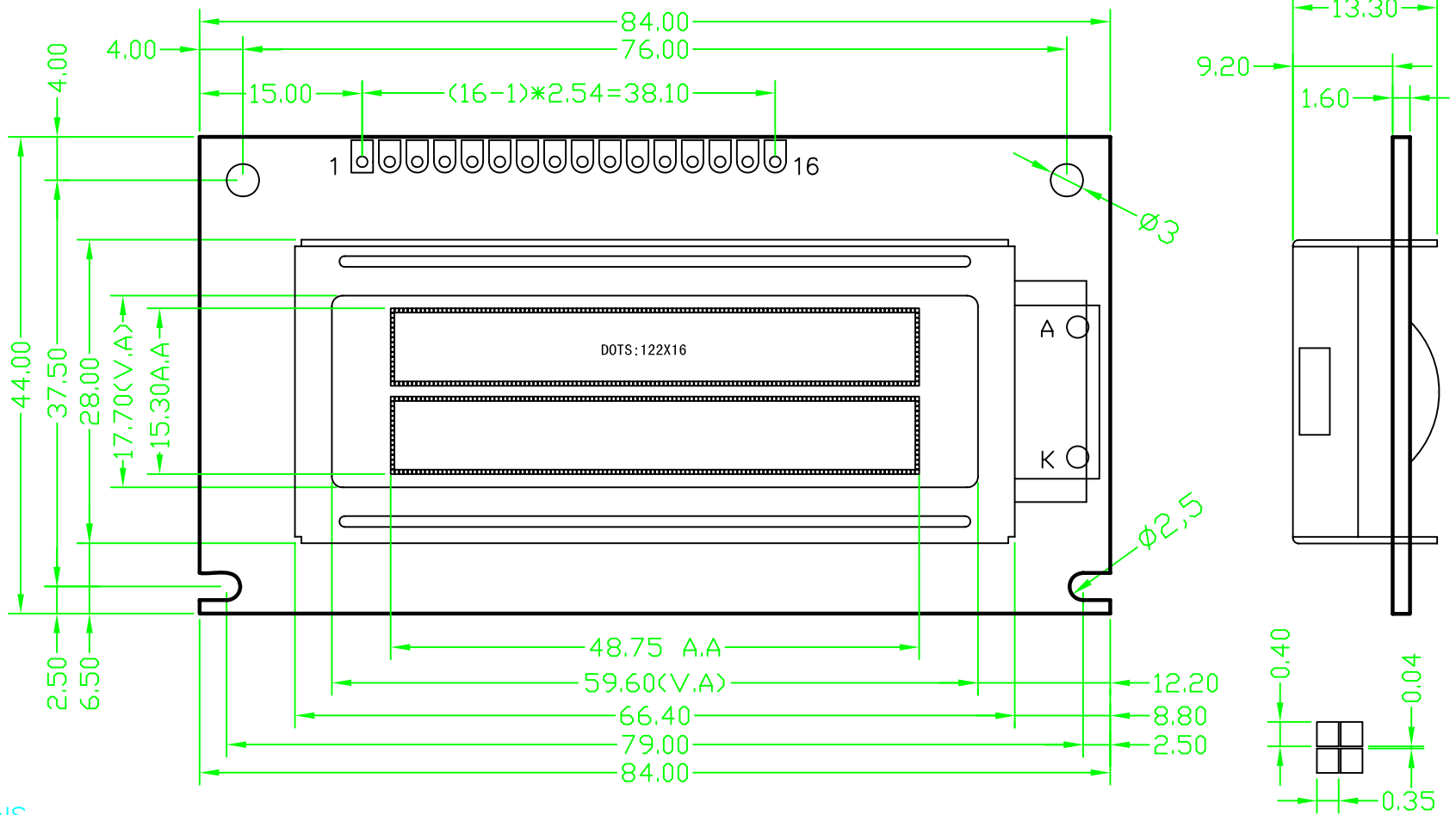


请客户确认回签

| REV | DESCRIPTION: | DATE |
|-----|--------------|------------|
| 00 | FIRSTISSUE | 2008/08/18 |

| PIN | NAME |
|-----|--------|
| 1 | VSS |
| 2 | VDD |
| 3 | V0 |
| 4 | RS/CS |
| 5 | RW/SID |
| 6 | E/SCLK |
| 7 | DB0 |
| 8 | DB1 |
| 9 | DB2 |
| 10 | DB3 |
| 11 | DB4 |
| 12 | DB5 |
| 13 | DB6 |
| 14 | DB7 |
| 15 | A |
| 16 | K |



SPECIFICATIONS

STORAGE TEMP : -40°C TO +90°C
 OPERATING TEMP : -30°C TO +80°C
 VIEWING DIRECTION : 6 O'CLOCK
 DRIVE CONDITION : 1/32 DUTY, 1/5 BIAS, VLCD=4.7V VDD:5V
 DISPLAY MODE : STN,BLUE,TRANGSIMISSIVE/NAGETIVE,MODE
 BACKLIGHT: WHITE

| | | | |
|--------------------------|------------|-----------------------------------|------------|
| DESCRIPTION: | | 外型图 | |
| SCALE: FIT | | 深圳市兴宇合电子有限公司 | |
| SHEET: 1 OF 1 | | | |
| GENERAL TOL: ± 0.50mm | UNIT mm | MODEL NUMBER : JBC12232A11-08W | PART NO: |
| APPROVALS | DATE | | |
| APP: | | DO NOT SCALE THIS DRAWING. | PROJECTION |
| CHK: | | | |
| DWN: plp | 20100302 | | |