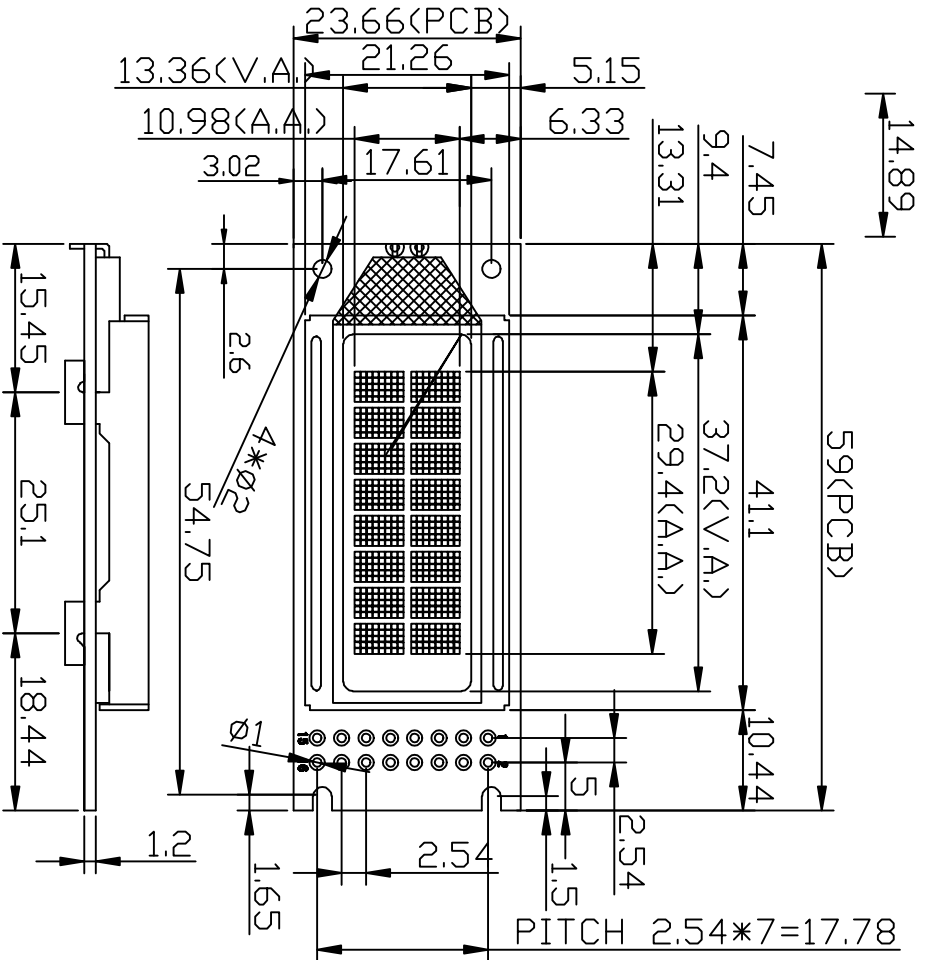
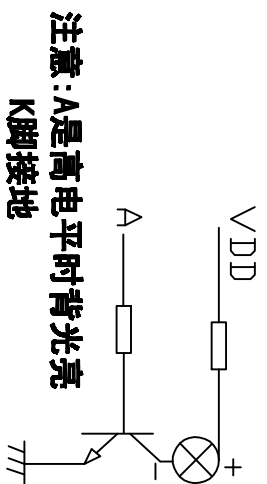
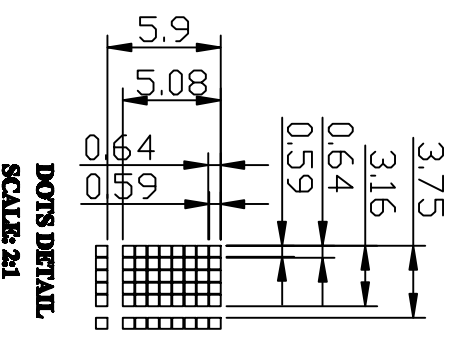


PIN	NAME
1	VSS
2	VDD
3	V0
4	RS
5	R/W
6	E
7	DB0
8	DB1
9	DB2
10	DB3
11	DB4
12	DB5
13	DB6
14	DB7
15	A
16	K



PITCH 2.54\*7=17.78



注意:A是高电平时背光亮  
K脚接地

NOTES:

1. DRIVE METHOD: 1/16DUTY, 1/5BIAS, VOP3.0V, VDD3.3V.
2. VIEWING ANGLE: 6 0'CLOCK.
3. DISPLAY TYPE: STN(Y-G), TRANSPARENTIVE/POSITIVE.
4. OPERATING TEMP: 0 TO 50°C.
5. STORAGE TEMP: -10 TO 60°C.
6. CONNECTION: COB
7. BACK LIGHT: Y/G SIDE 3.0V 1PCS. I<=20MA
8. IC: ST7066 OR EQU
9. NOT DIMENSION TOLERANCES IS ±0.2.

REV	DESCRIPTION:	DATE
00	First issue	2011.11.24

DESCRIPTION: C/D 外型图

SCALE: 1 OF 1 UNIT

GENERAL TOL: ± 0.2mm

APPROVALS: DATE

MODEL NUMBER: JBC0802B01-02E-A31

PART NO:

DO NOT SCALE THESE DRAWING. PROJECTION

深圳市兴宇合电子有限公司