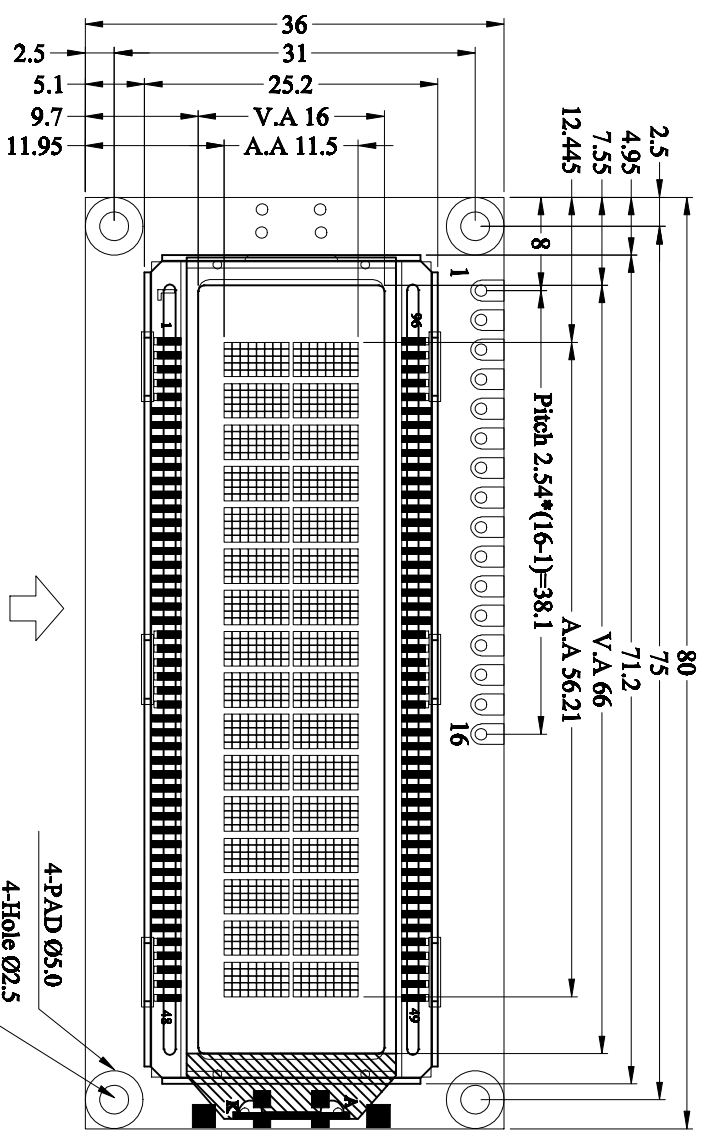
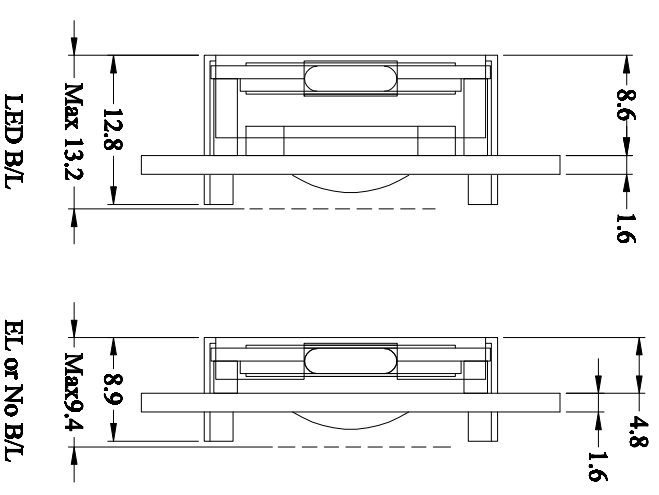
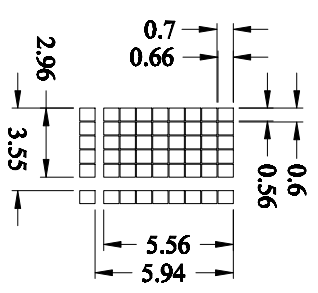


REV	DESCRIPTION:	DATE
A00	First issue	Dec-20-2006

PIN.NO.	SYMBOL
1	VSS
2	VDD
3	V ₀
4	RS
5	R _W
6	E
7	DB0
8	DB1
9	DB2
10	DB3
11	DB4
12	DB5
13	DB6
14	DB7
15	A/Vee
16	K



VIEWING DIRECTION



SPECIFICATIONS

STORAGE TEMP : -30°C TO +80°C
 OPERATING TEMP : -30°C TO +70°C
 VIEWING DIRECTION : 6 O'CLOCK
 DRIVE CONDITION : 1/16 DUTY, 1/4 BIAS, VLCD=4.0V
 DISPLAY MODE : STN,Y/G,Transflective,Positive,MODE
 BACKLIGHT: White color or yellow-green color

DESCRIPTION:

C/D 结构图

深圳市兴宇合电子有限公司

SCALE: 1:1	UNIT: mm	DATE: Dec-20	MODEL NUMBER: JBC162H02-00Y-1	PART NO:
SHEET: 1 OF 1	GENERAL TOL: ± 0.20mm	APPROVALS:	DO NOT SCALE THIS DRAWING.	PROJECTION:
APPR:	CHK:	DWNG: ZY,CHEN		

1 2 3 4 5 6